



**LINBLE**  
**力必拓**

4G industrial router

**LBT-T300-mini1**

Product specification

# Product overview

4G industrial router, with industry-level material selection, design and technology, ensures robust communication under extreme conditions and strong interference conditions. It is an Internet of Things gateway device supporting multiple Internet access (Ethernet/4G) and multiple local data access (5G/1000M Ethernet) full-stack intelligent protocols. The equipment is loaded with Wan communication, VPN tunnel and other functions to realize the seamless connection of Ethernet and intelligent hardware, providing professional line communication for intelligent manufacturing, warehousing logistics, transportation, electricity and other industries.

The 4G industrial wireless router can also be used as a special vehicle-mounted device to provide a vehicle-mounted fixing piece. At the same time, the device supports dust-proof design, vehicle-mounted anti-interference design and good anti-interference performance.

Support WEB configuration mode, convenient and simple management, and support remote cloud control.

## Field of applicat



Electricity



Petroleum



Coal mine



Finance



Communication



Public security



Heat



Industrial Control



Weather



Water Conservancy



Traffic



Municipal



## Product characte

1. Adopt metal shell with protection grade of IP30;
2. Support (WCDMA/CDMA/TD-SCDMA), 4G (FDD-LTE/TDD-LTE);
- 3, UIM/SIM card ESD protection: 1.8V/3V standard push-type user card interface, built-in 15KV ESD protection;
4. Standard RJ45 (Ethernet) interface built-in lightning protection 3000V (non-standardized configuration);
- 5, industrial power supply: wide voltage power supply design, power supply range of DC6-36V/3A optional, built-in power reverse protection;
6. Software and hardware watchdog anti-crash design, after the router is disconnected, it will automatically power off and restart to ensure stable and reliable operation of the equipment;
- 7, automatic detection of network disconnection, automatic restart of dialing failure, timing restart and other functions;
8. Serial port transparent transmission function. The command control mode can be entered through the serial port to control the router and ancillary equipment;
9. Support multiple DDNS dynamic domain name services;
10. Port mapping, DMZ host and other functions;
11. Support VPN (PPTP Client, L2TP Client);

# Functional overview

## Software function

The way to surf the Internet	4G dial-up DHCP/Static IP/PPPoE
Number of users supported	Wired: 253
Operating system requirements	Windows XP/VISTA Linux 2.6 Windows 7 and above MAC OS: 10.3.7 and above
Browser requirements	IE: 6.0 and above Safari: 1.2.4 and above Firefox: 2.0.0.8 and above
Security management	Set up a firewall to prevent malicious attacks from the Internet on computers in the LAN. MAC filtering: prohibit MAC addresses that have been added. Access control: Control the access of computers in the LAN to the Internet. Port blocking: Block certain viruses from continuously initiating connections through a certain port to prevent Dos attacks
System Services	Virtual server: Set an internal server for Internet users to access DMZ: When the open port of the virtual server to be set is uncertain, it can be set as a DMZ host Port triggering: The wireless router can automatically open the inward service port according to the port of the LAN accessing the Internet. Serial port service: realize serial port data transmission, AT command control and other functions.
Equipment management	Locale NTP server settings Back up system setup information Restart Recover Settings Information from File Change the password and restore to the factory settings Software upgrade Remote management
Data security	PPTP Client L2TP Client VPDN/APN

## Hardware parameters

Antenna	SMA external rotation and internal hole
External interface	LAN port: 2 (LAN1 Antenna interfaces: 4 for WAN/LAN adaptation) Indicator lamp: 4 RS232/485 interface: 2 DC power supply interface: 1 SIM card slot: 1 Reset key:1
Frequency band supported (optional)	GN (Domestic-Qualcomm): Asia, Europe and Australia: 5G Sub-6: n1, n28, n41, n77, n78, n1/3/5/8/20/28 n79 LTE FDD: B1, B2, B3, B5, B7, /38/41/77/78 / B8, 79 LTE TDD: B34, B39, B40, B41 B1/3/5/7/8/19/ GN (Domestic-Zhanrui) 20/28 5G Sub-6: n1, n28, n41, n78, n79 B38/40/41/42 / LTE FDD: B1, B2, B3, B5, B7, B8, 43 LTE TDD: B34, B38,B39, B40, B41
Main frequency of storage memory	Store 16 MB Main frequency: 880MHz Memory 128MB [on chip]
Overall dimensions	Length, width and height: 97 * 78.2 * 25.5mm (fixed hole installation)
Power source	DC power supply: 6-36V/3A
Power consumption (current)	Less than 400mA
Work environment	Operating temperature: -30°C~+70°C Storage temperature: -40°C~+85°C Humidity:5%~95%, non-condensing

# Interface description

## Side A



## Side B



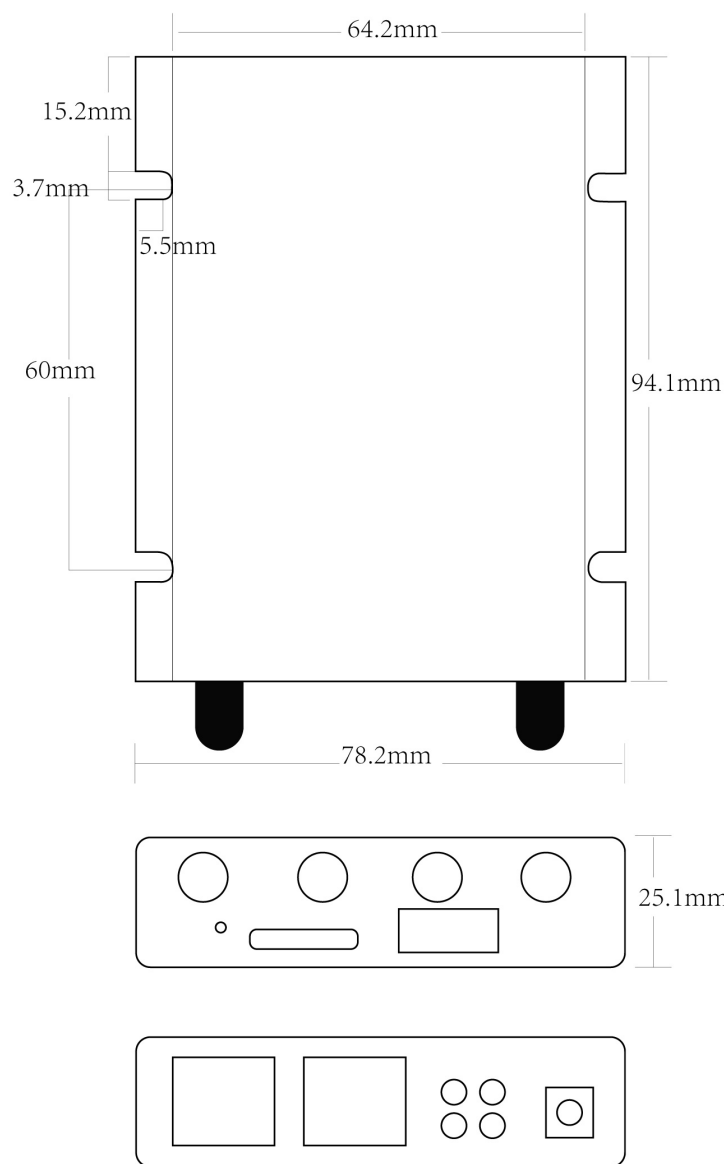
## Side A

1. LAN1/LAN2: RJ45 interface; In standard router mode, LAN1 can be used as a WAN port.
2. DC power interface: 2.1mm round head power interface is adopted, with positive inside and negative outside. The voltage input is 6-36 V, and the recommended input power is more than 10 W.

## Side B

1. 4G antenna interface: SMA external rotation and internal hole interface.
  2. RS232/RS485 serial interface: 6Pin female terminal 2.00 mm.
- LAN1/LAN2: RJ45 interface; In standard router mode, LAN1 can be used as a WAN port.
4. SIM card slot: snap-in SIM card holder. If you need to take out the SIM card, gently push the SIM card.
  5. RST (reset) key: press this key for 5 seconds in the power-on state, the SYS lamp will flash, and then restart, and the reset is successful.

# Schematic diagram of shell locating holes



The product images, videos, and screen content on the above pages are for illustration only. The actual product effect (including but not limited to appearance, color, size) and screen display content (including but not limited to background, UI, graphics, videos) may have slight differences. Please refer to the actual product.

The data on the above page are theoretical values, all from internal laboratories. In actual use, there may be slight differences due to individual differences in products, software versions, usage conditions, and environmental factors. Please refer to the actual use situation.

Due to the real-time changes in product batches and production supply factors, in order to provide as accurate product information, specification parameters, and product characteristics as possible, we may adjust and revise the text and image effects on the above pages in real time to match the actual product performance, specifications, indices, components, and other information. If it is necessary to make the above modifications and adjustments, no special notice will be given.

The manufacturer strives to ensure the accuracy of the information provided, but does not assume responsibility for any possible errors or omissions.